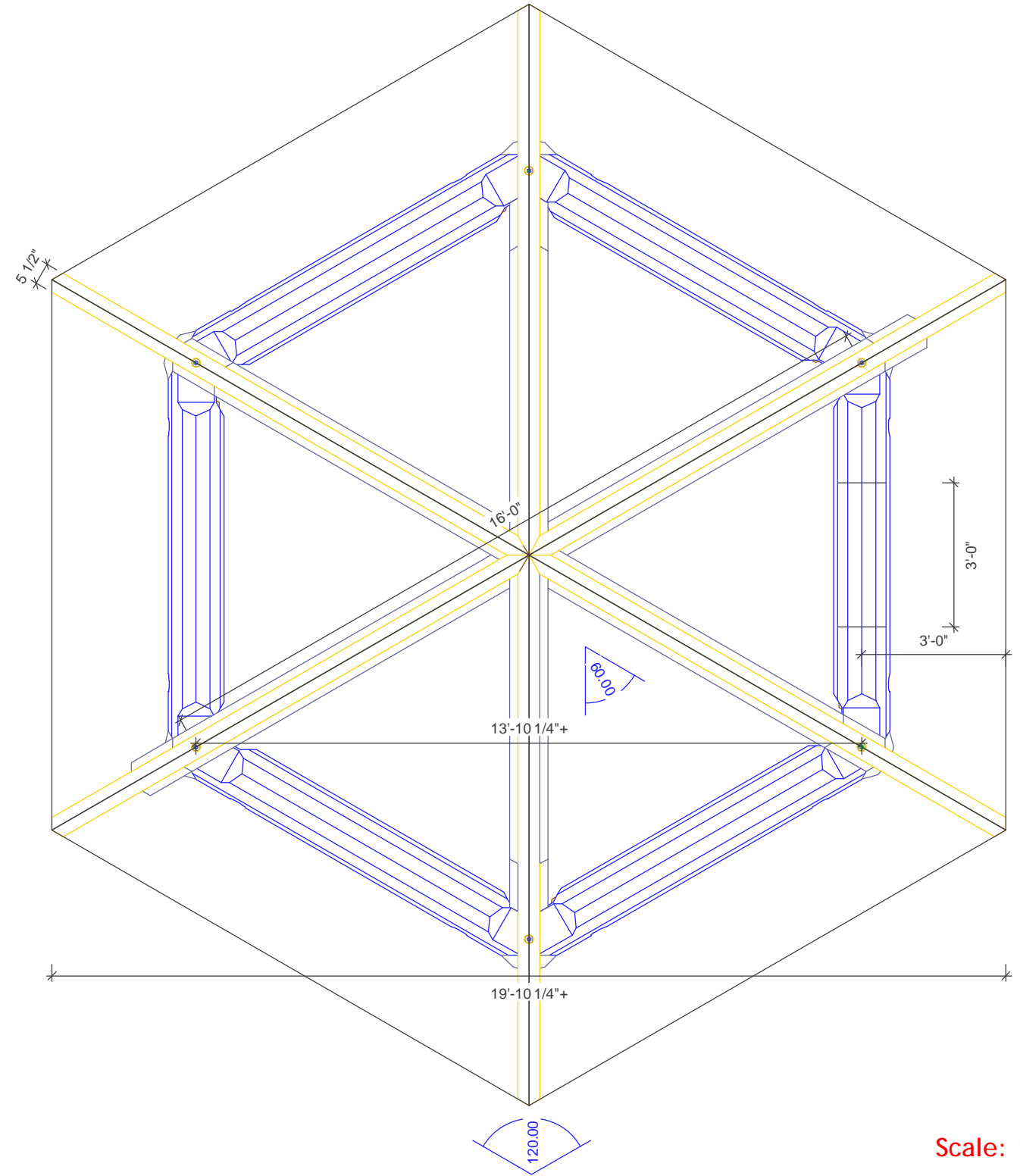
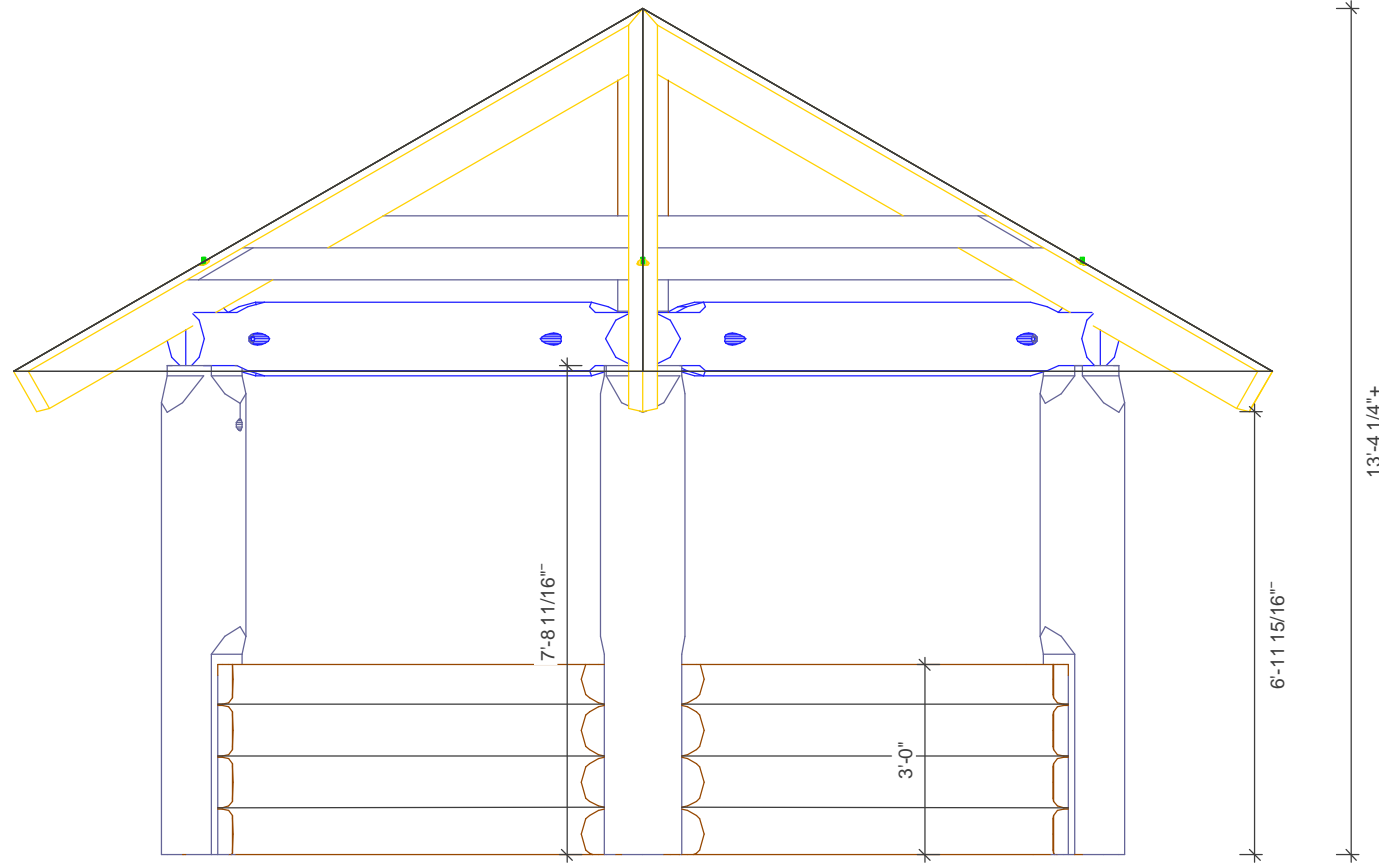


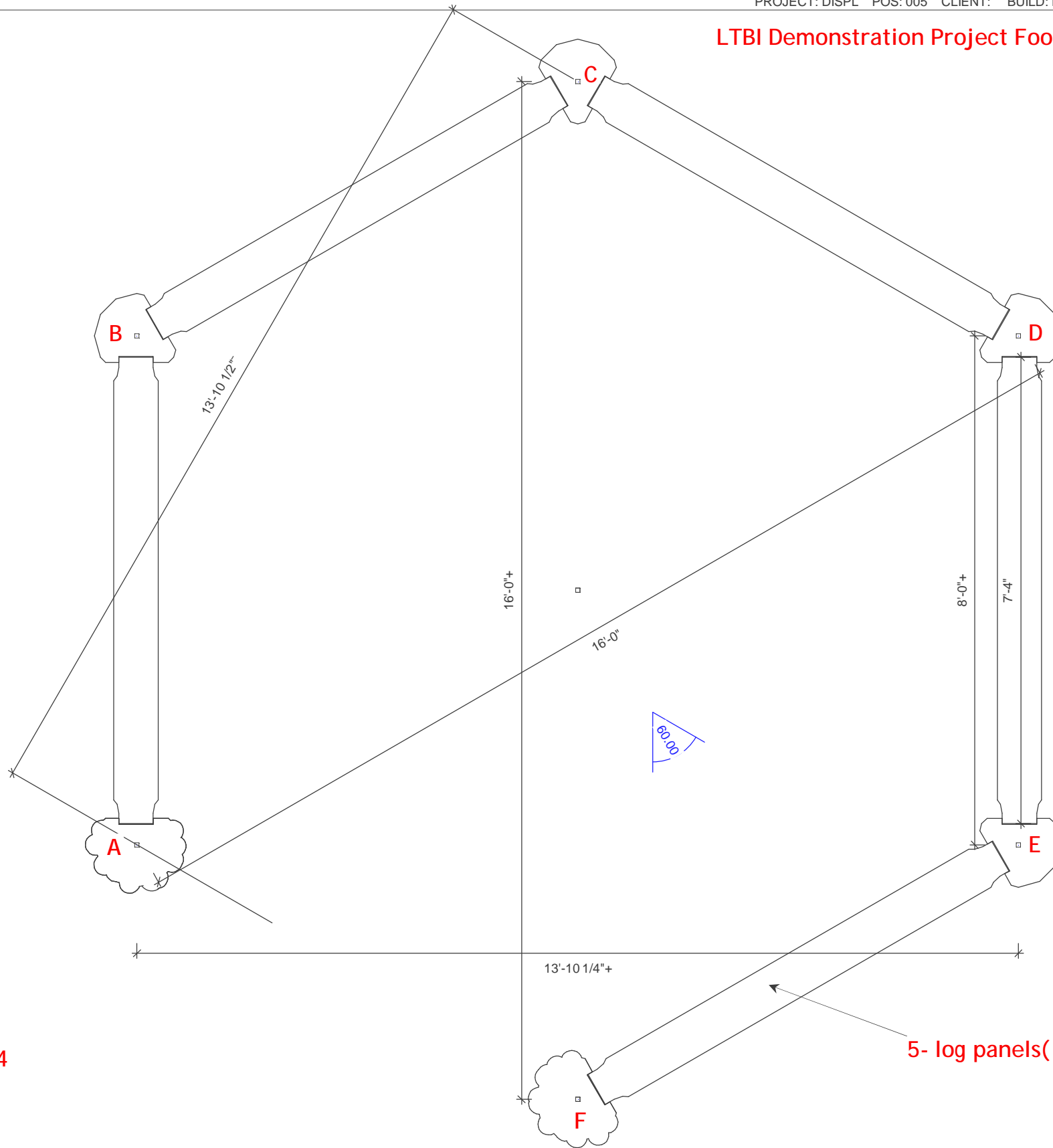
LTBI Demonstration Project overview



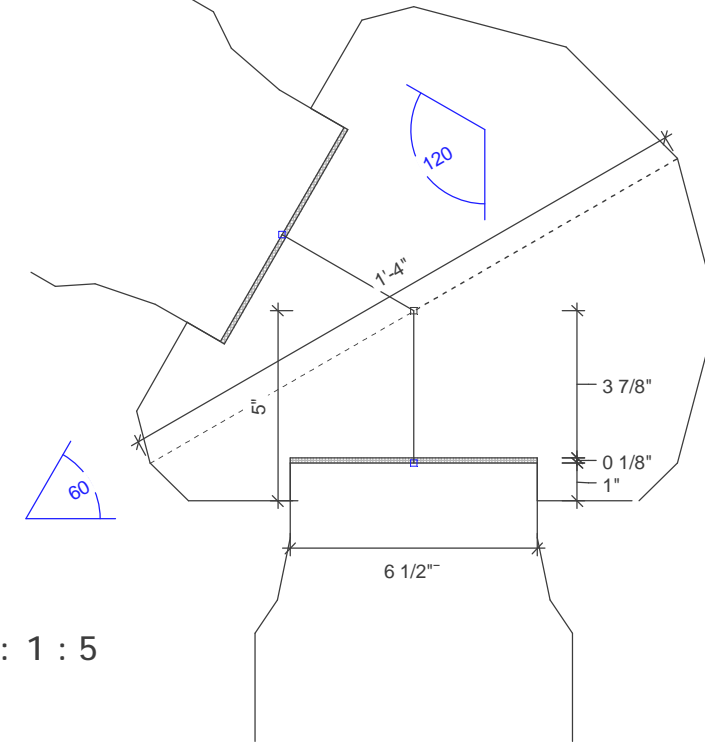
Scale: 1 : 36

Projekt: DISPL	Position: 005
Plannumber: 001	Drawing Started: 04-10-2007
Info:	Last Edit: 10-01-2008
Scale: 1 /	Printed: 14-01-2008

LTBI Demonstration Project Footprint



Post-panel connection



Scale: 1 : 5

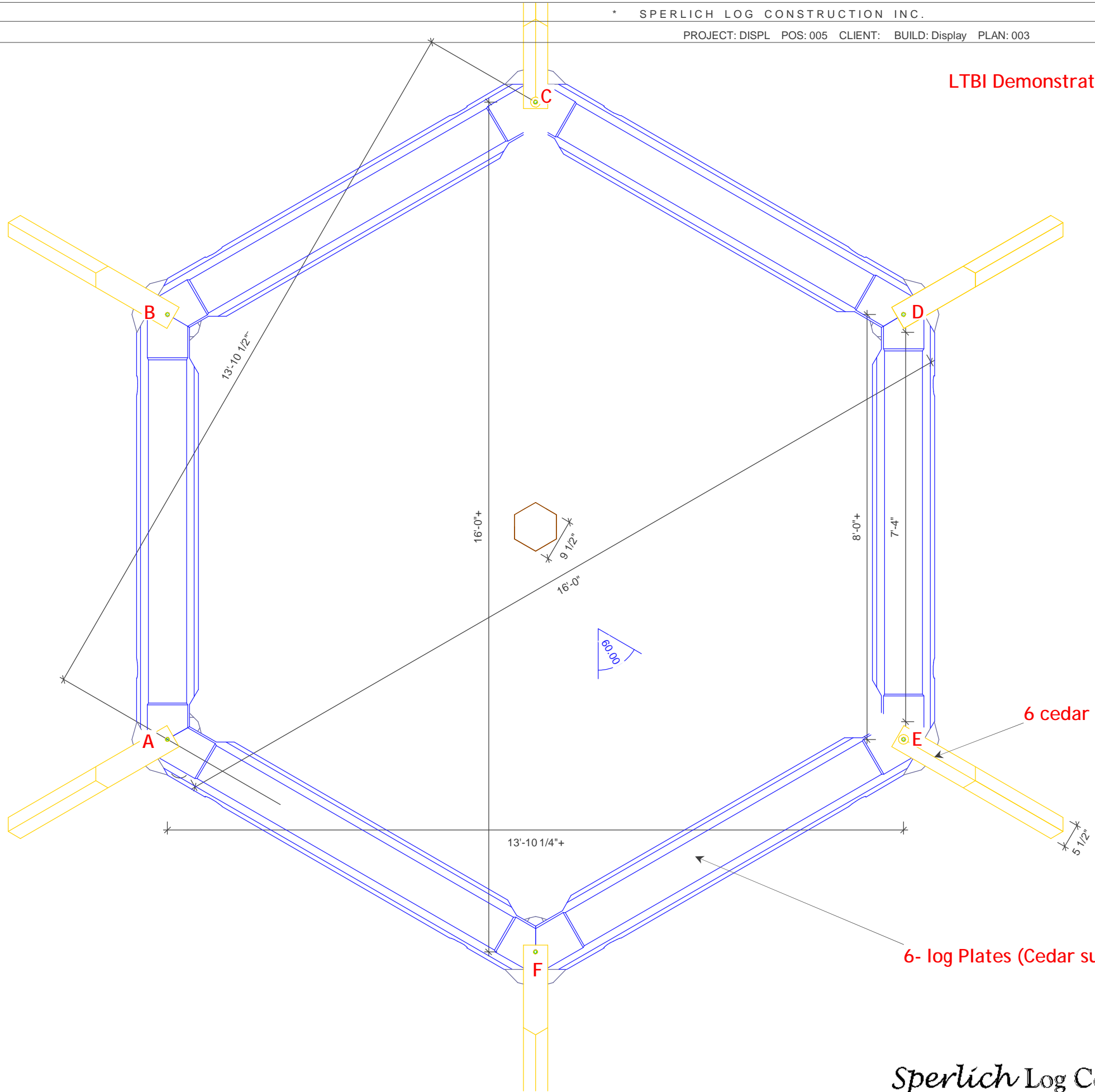
6 cedar columns 2- with extra Butt Flare supplied by Nicola log Works

5- log panels(Pine) 36" High X 88" long to be supplied By Sitka log Homes

1 : 24

Projekt: DISPL	Position: 005
Plannumber: 002	Drawing Started: 04-10-2007
Info:	Last Edit: 14-01-2008
Scale: 1 /	Printed: 14-01-2008

LTBI Demonstration Project At log Plate height

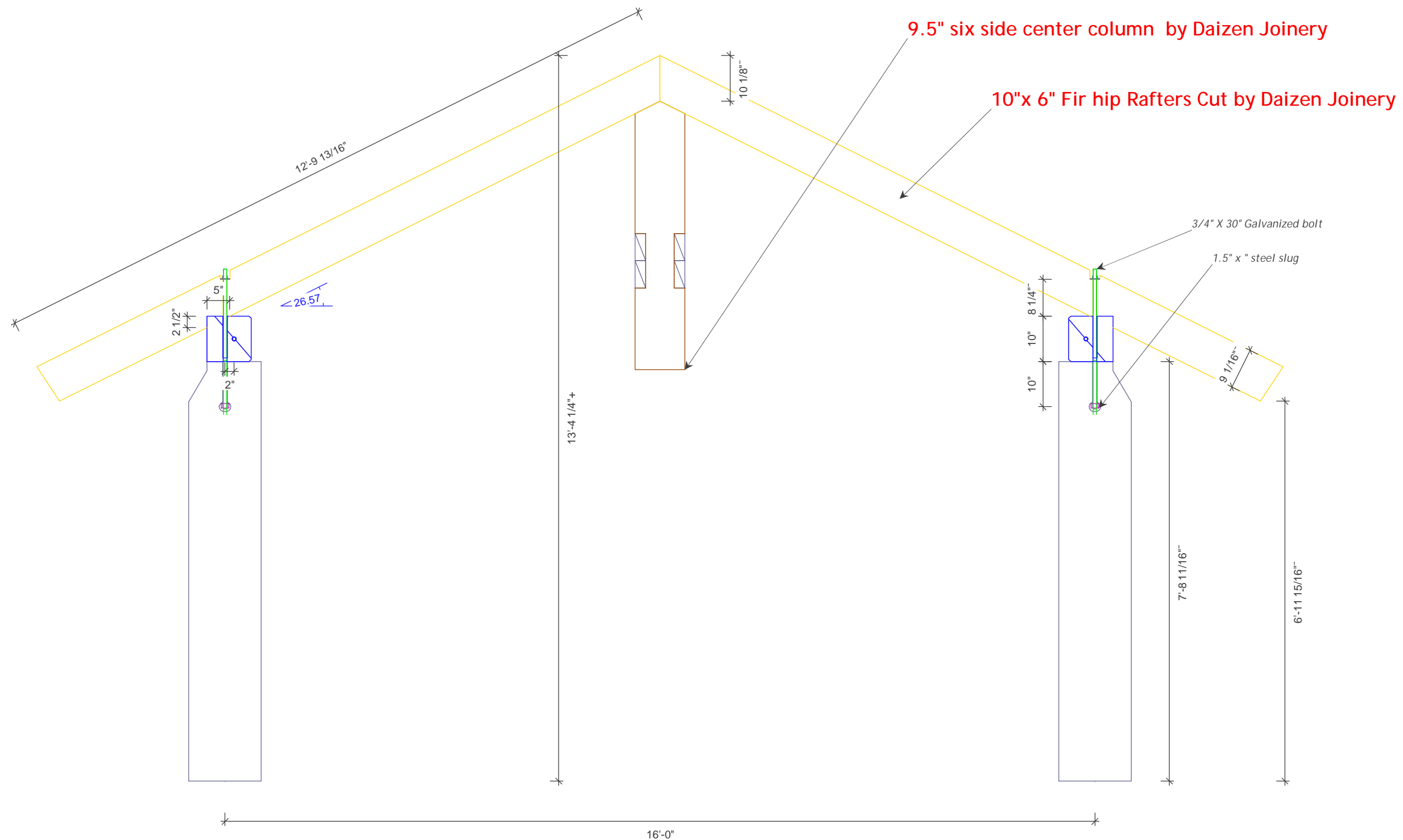


6 cedar columns 2- with extra Butt Flare supplied by Nicola log Works

6- log Plates (Cedar supplied by Sperlich Log Construction)

Projekt: DISPL	Position: 005
Plannumber: 003	Drawing Started: 04-10-2007
Info:	Last Edit: 10-01-2008
Scale: 1 /	Printed: 14-01-2008

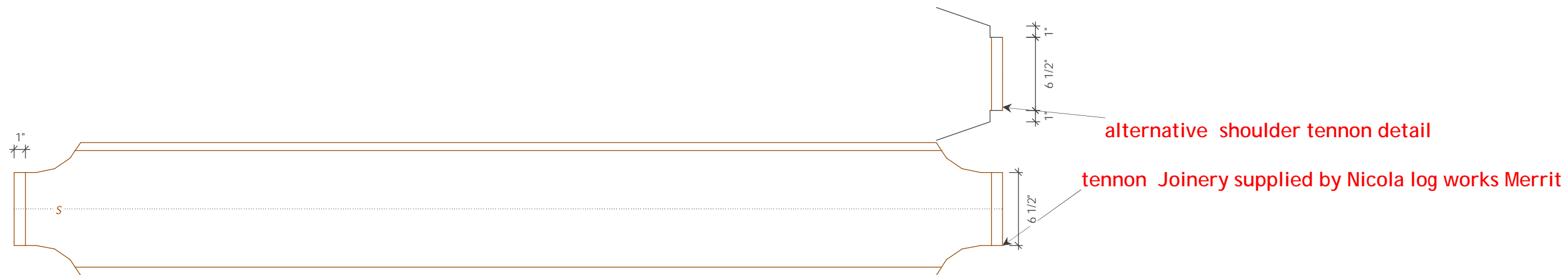
LTBI Demonstration Project Section A-D



Scale: 1 : 24

Projekt: DISPL	Position: 005
Plannumber: 004	Drawing Started: 04-10-2007
Info:	Last Edit: 14-01-2008
Scale: 1 /	Printed: 14-01-2008

LTBI Demonstration Project Log panels



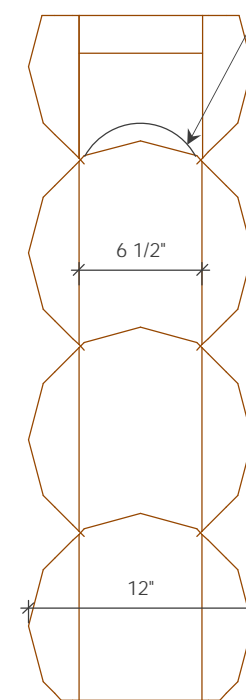
Panels materials and manufacturing supplied by Sitka log homes

5- pine Beetle log panels 5 Pc total



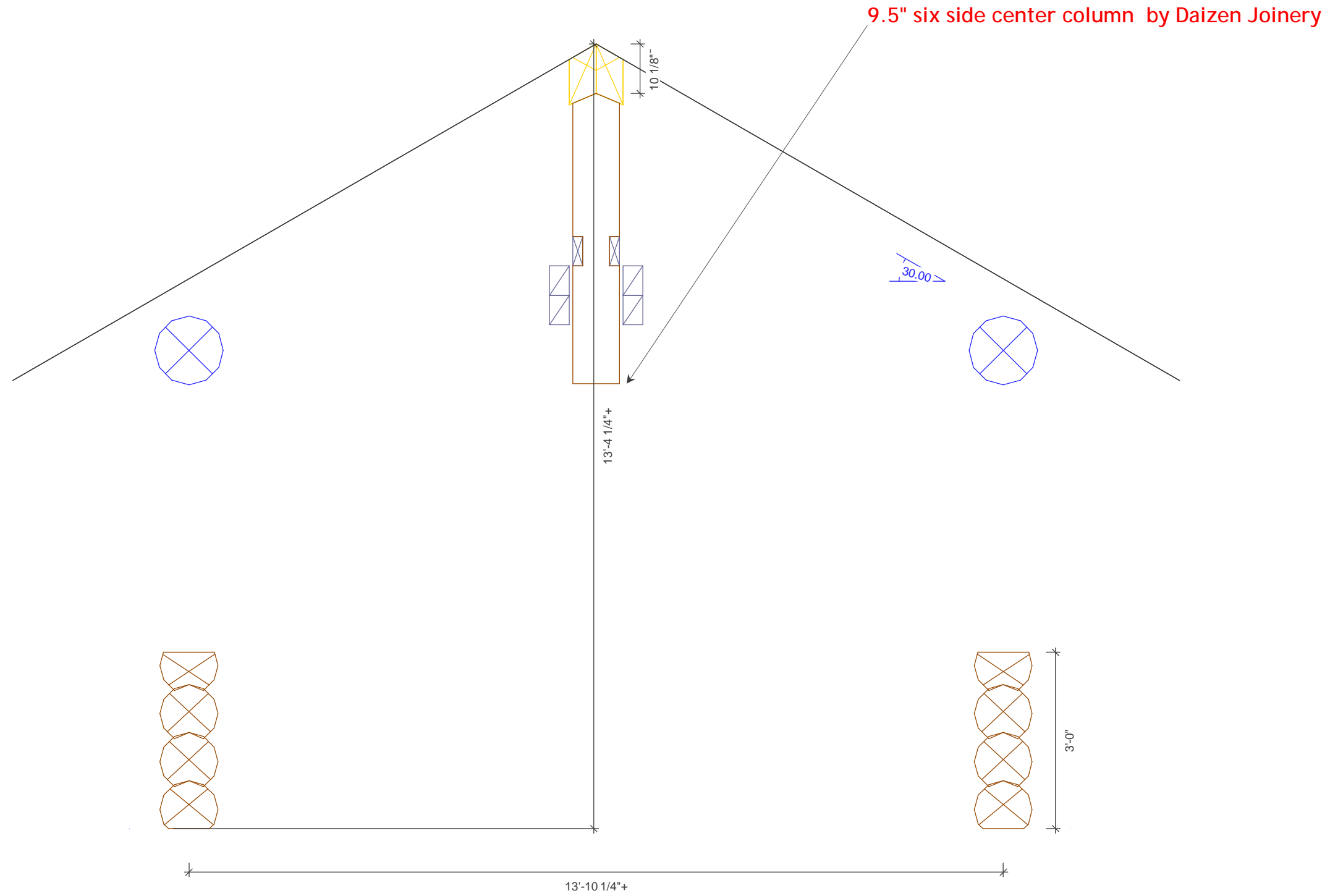
grooves wider then 3.25 from center should be covered for 4" length(side only)

lateral grooves between 4" and 6.5" wide



Projekt: DISPL	Position: 005
Plannumber: 005	Drawing Started: 11-01-2008
Info:	Last Edit: 11-01-2008
Scale: 1 /	Printed: 14-01-2008

LTBI Demonstration Project Section "on center"

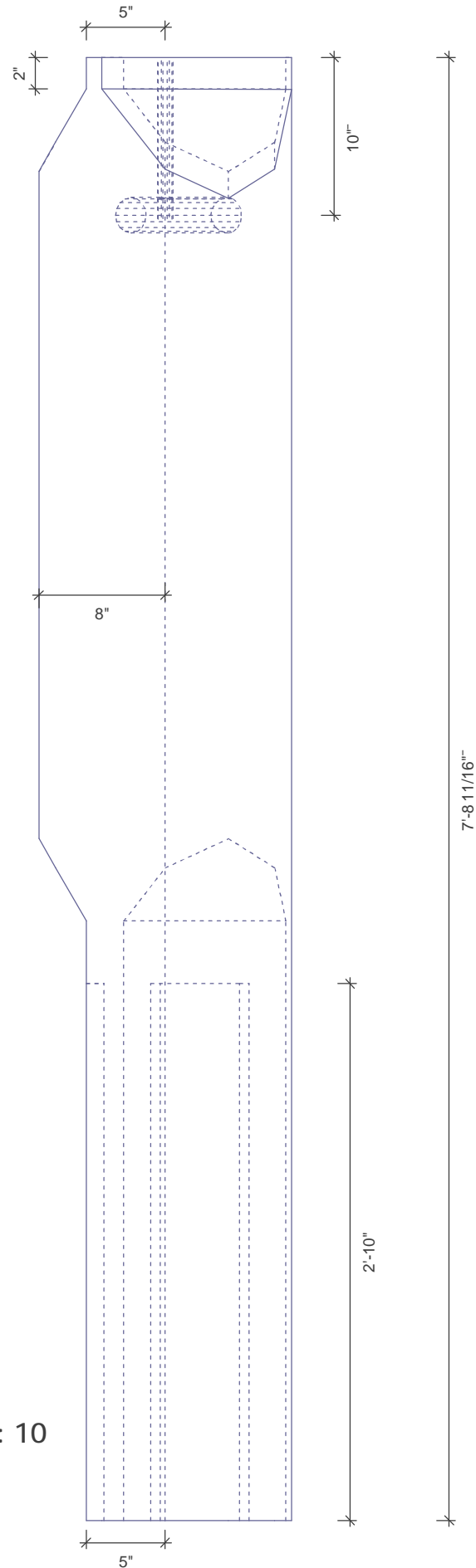


Scale: 1 : 24

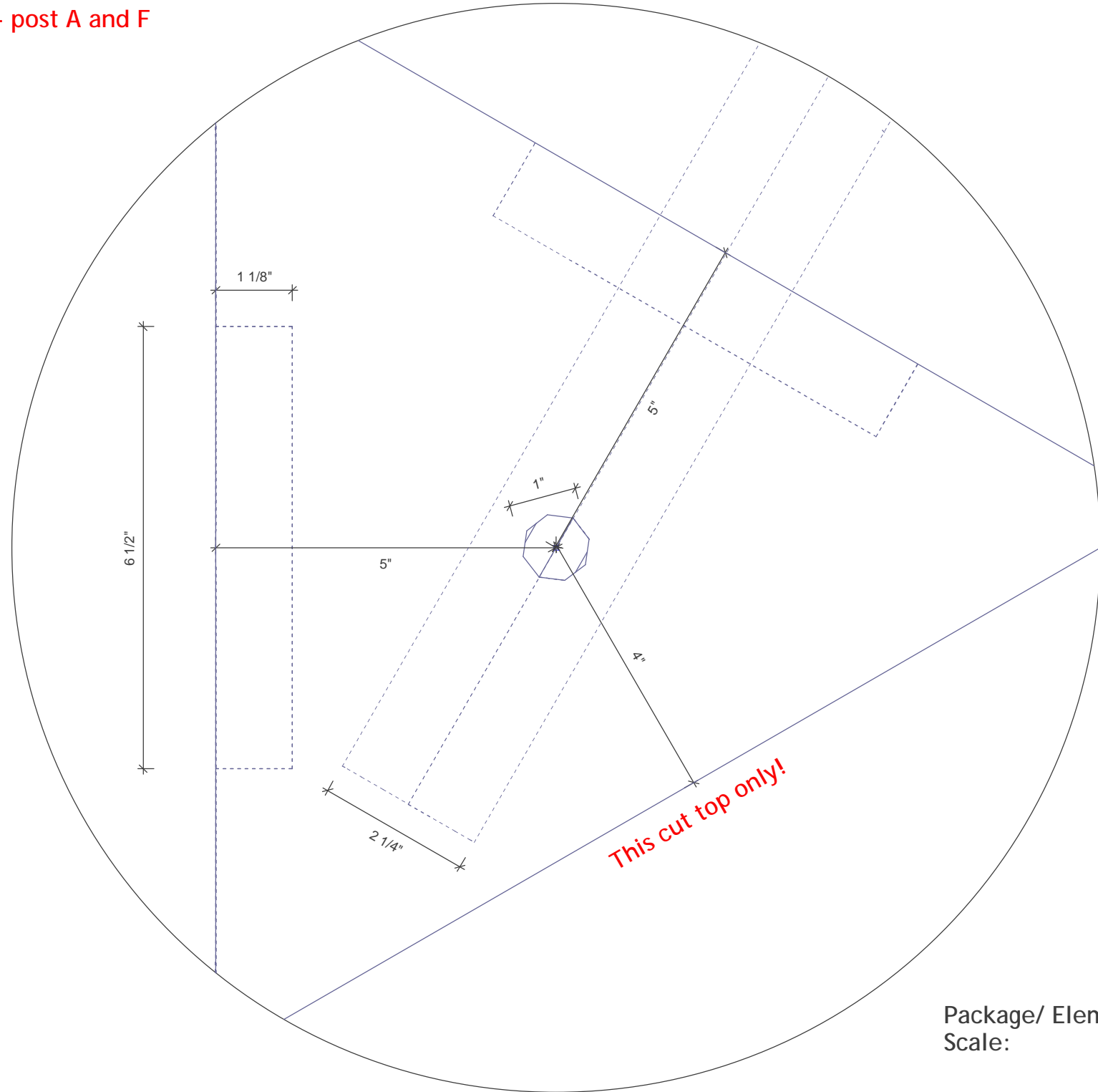
Projekt: DISPL	Position: 007
Plannumber: 006	Drawing Started: 04-10-2007
Info:	Last Edit: 14-01-2008
Scale: 1 /	Printed: 14-01-2008

LTBI Demonstration Project "Post details"

5 Posts This style 2-posts at entrance one side only with bottom panel(mirror)
see page 2- post A and F



Package/ Element:
Scale: 1 : 10

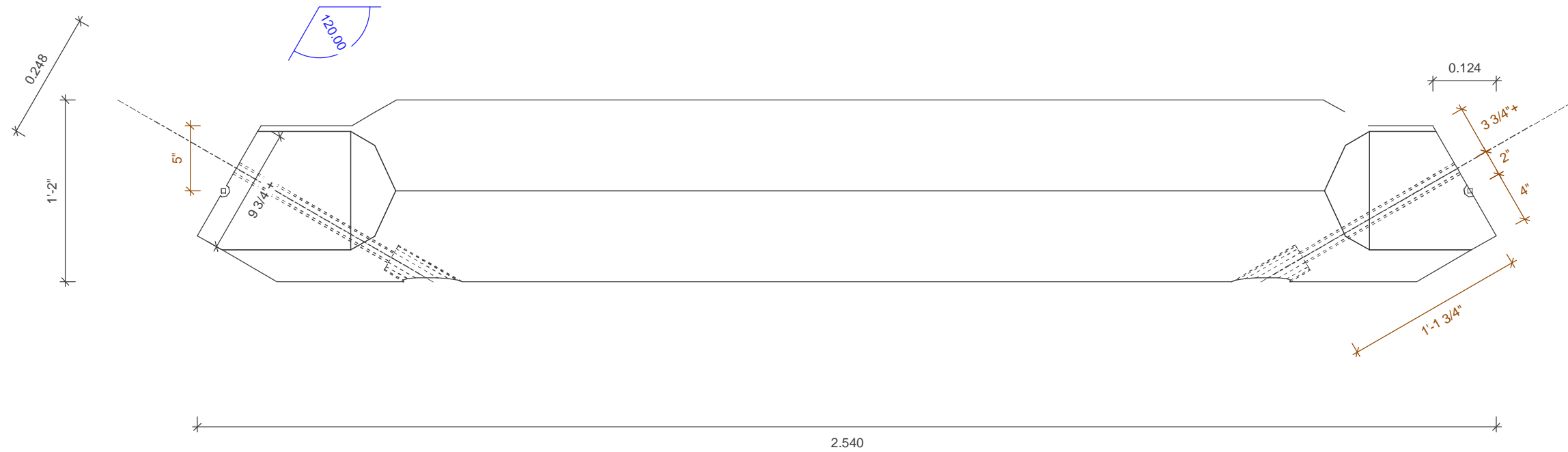
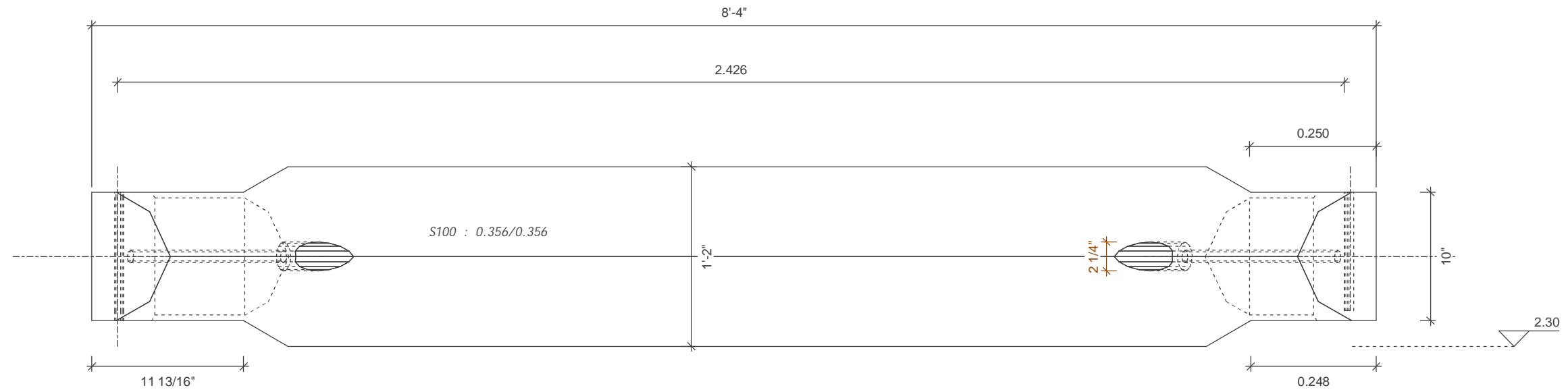


Package/ Element:
Scale: 1 : 2

Projekt: DISPL	Position: 007
Plannumber: 007	Drawing Started: 04-10-2007
Info:	Last Edit: 14-01-2008
Scale: 1 /	Printed: 14-01-2008

LTBI Demonstration Project "Plate details"

Six plates required 14" diameter



Scale: 1 : 10

Projekt: DISPL	Position: 007
Plannumber: 008	Drawing Started: 04-10-2007
Info:	Last Edit: 14-01-2008
Scale: 1 /	Printed: 14-01-2008